

One-Year Limited Warranty

KES warrants its products purchased from authorized sellers to be free from defects in material and workmanship for one (1) year from the original date of purchase.

What We Will Do

KES will repair or replace, FREE OF CHARGE, during the one (1) year warranty period, any part that proves defective in material and/or workmanship under normal installation, use and service. If repair or replacement is not practical, KES may elect to refund the purchase price in exchange for the return of the product.

What Is Not Covered

KES shall not be liable for any damage to the product resulting from reasonable wear and tear, installation and maintenance errors, outdoor use, freezing water, abuse, misuse, and use of cleaners containing abrasive cleansers, ammonia, bleach, acids, waxes, alcohol or other organic solvents.

KES is not responsible for removal, installation, labor charges, or other incidental or consequential costs. In no event shall the liability of KES exceed the purchase price of the product.

KES AND/OR SELLER ARE PROVIDING THESE WARRANTIES IN LIEU OF ALL OTHER WARRANTIES, EXPRESSED OR IMPLIED, INCLUDING BUT NOT LIMITED TO THE IMPLIED WARRANTIES OF MERCHANTABILITY AND FITNESS FOR A PARTICULAR PURPOSE. KES AND/OR

SELLER DISCLAIM ALL LIABILITY FOR SPECIAL, INCIDENTAL OR CONSEQUENTIAL DAMAGES.

Some jurisdictions do not allow the exclusion or limitation of incidental or consequential damages, so these limitations and exclusions may not apply to you. This warranty gives you specific legal rights and you may also have other rights which vary from jurisdiction to jurisdiction.

This warranty applies only to KES products sold in North America and Europe.

Supplementary Terms

Warranty terms may vary depending on the laws and regulations of the country or region where the product is sold. Consumers may have statutory warranty rights under local consumer protection laws that are not affected by the terms of this commercial warranty. For specific warranty rights applicable in your region, please refer to local consumer protection legislation.

Contact KES

Email: cs@keshome.com

Online Contact:



Please provide:

- dated proof of purchase
- description of the defect/fault
- picture or video showing the issue(s) (optional)



FR

Pensez à donner ou recycler.



Association



Magasin



Déchèterie

<https://quefairedomesdechets.fr>

KES

Metal First. No Plastic Shortcuts

TOWEL RACK INSTALLATION GUIDE

Model
BTH232
Series

CUSTOMER SERVICES

keshome.com

cs@keshome.com

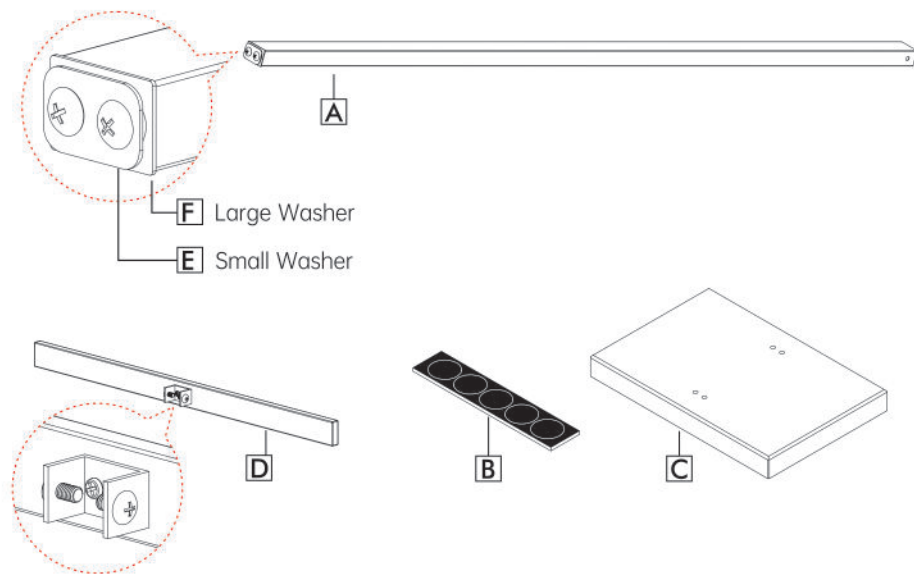
+1-888-667-4833
Mon-Fri, 8 a.m. to 4 p.m. (PT)



CHAT NOW

BTH232-EN-V2.0

PRODUCT COMPONENTS



Parts List:

- | | | |
|-----------------------|------------------|--|
| A. Bar (x2) | C. Base (x1) | E. Small Washer (x2, pre-installed on Bar A) |
| B. Anti-slip Pad (x1) | D. Crossbar (x2) | F. Large Washer (x2, pre-installed on Bar A) |

HELPFUL TOOLS



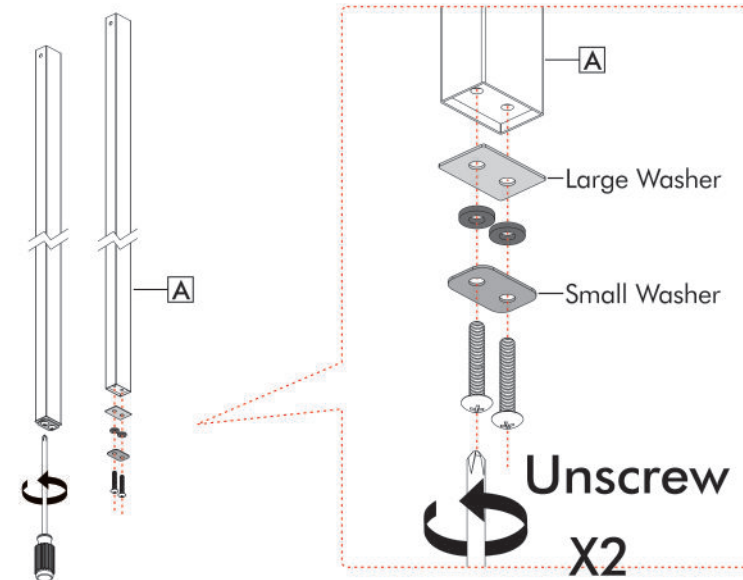
Phillips Screwdriver

NOTES BEFORE INSTALLATION

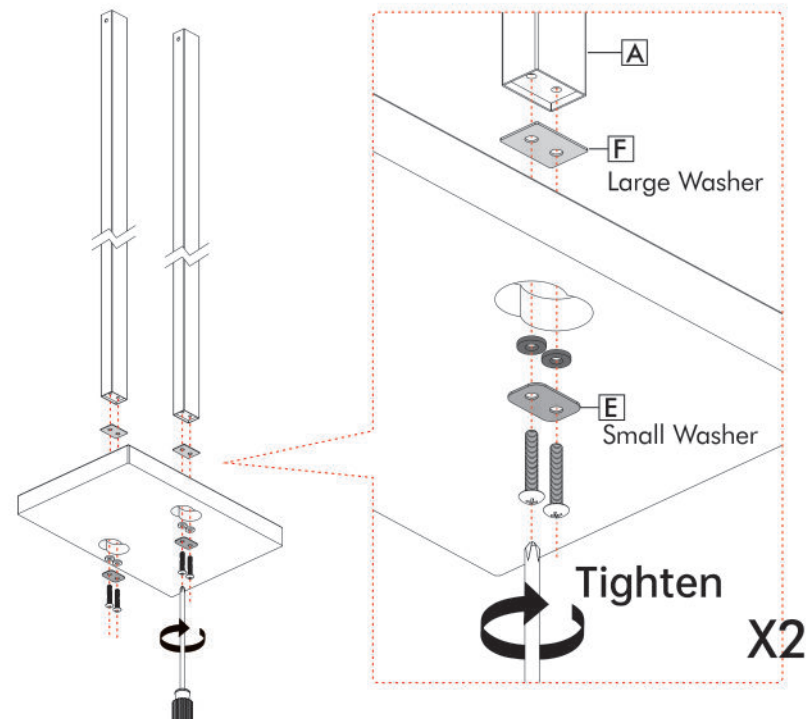
- Place the towel rack on a flat, stable surface.
- For indoor dry areas. If used outdoors, avoid coastal/salt-spray environments and wipe dry regularly to reduce corrosion.
- Do not stand, climb, or sit on the towel rack. Do not allow children to play with it.
- Distribute weight evenly. Do not overload.
- Wear gloves during assembly to avoid injury from sharp edges.
- Hand-tighten only. Power tools may overtighten and damage threads.

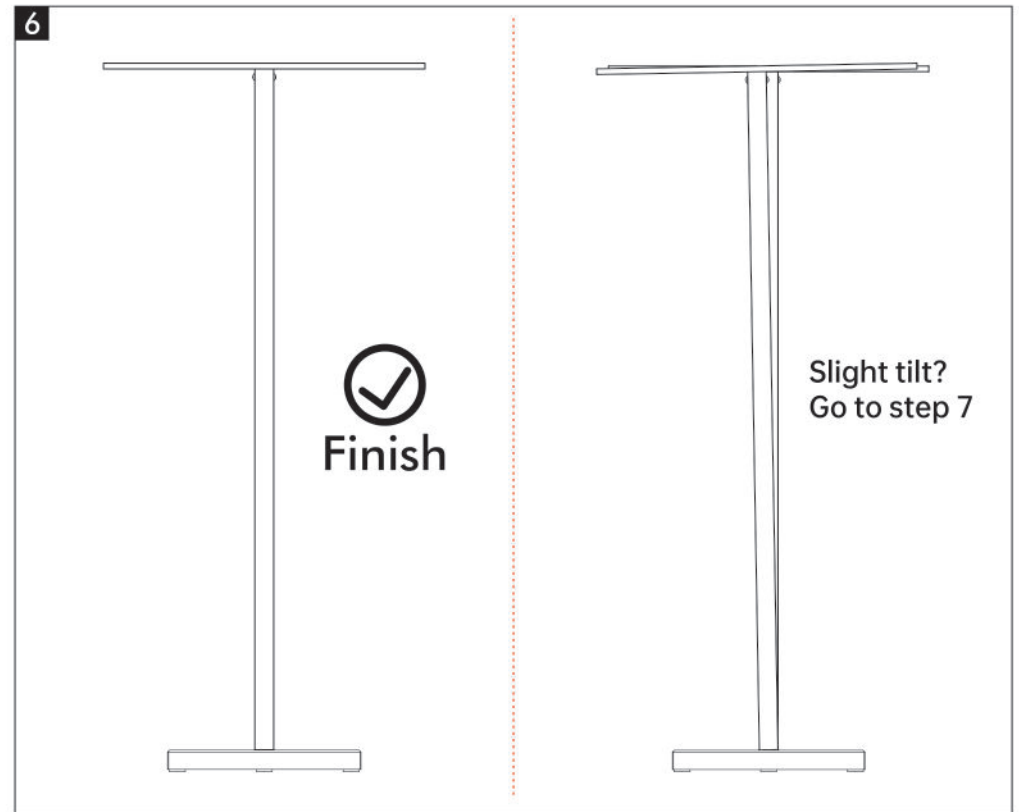
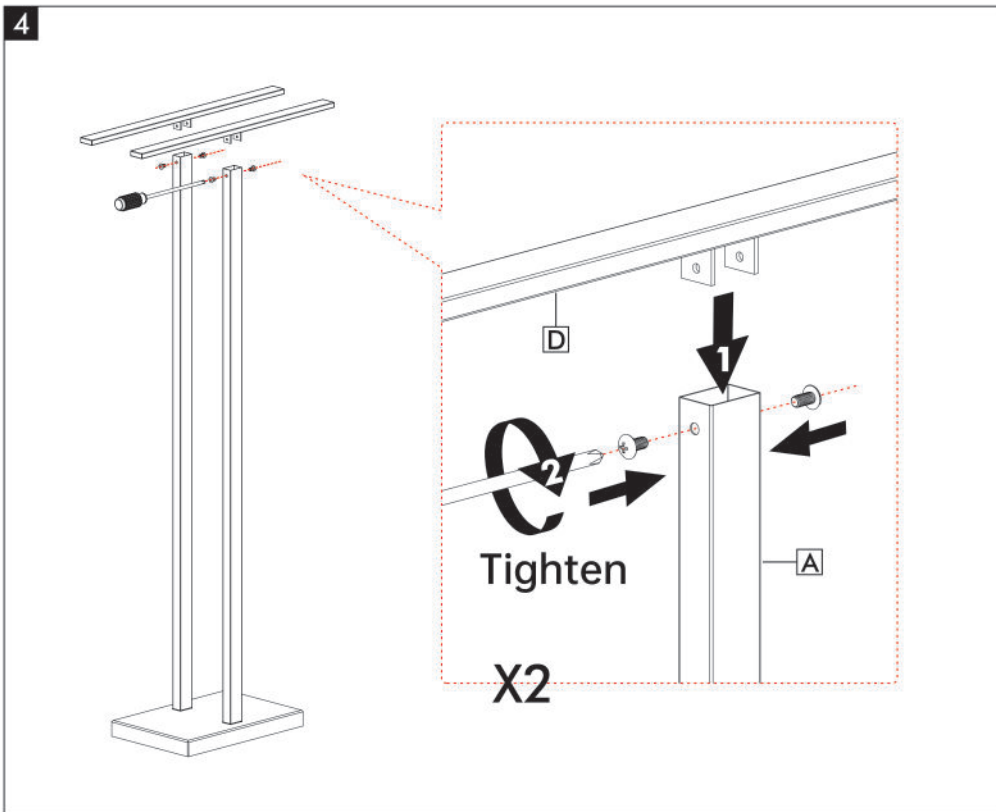
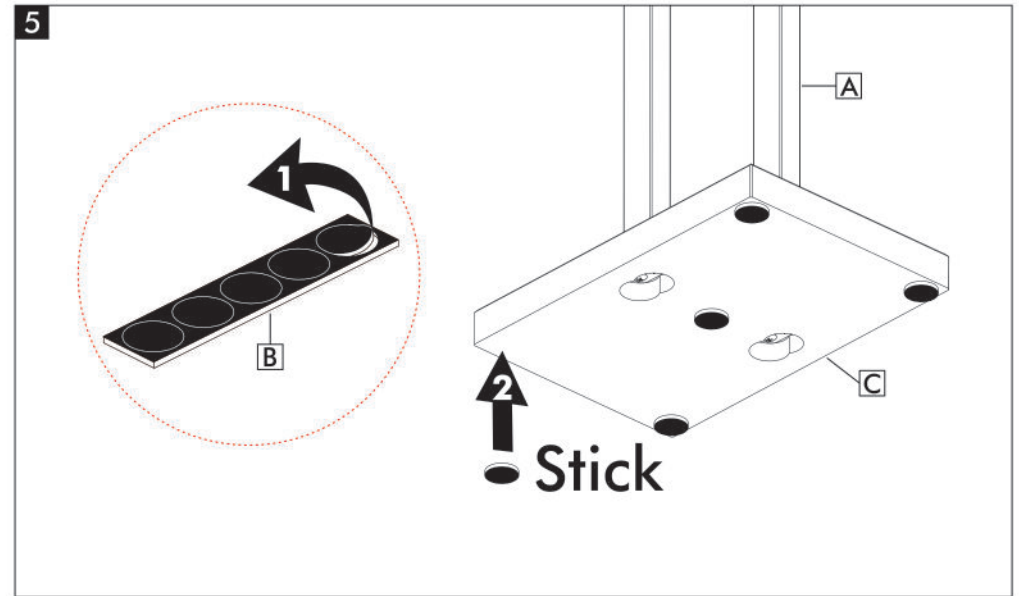
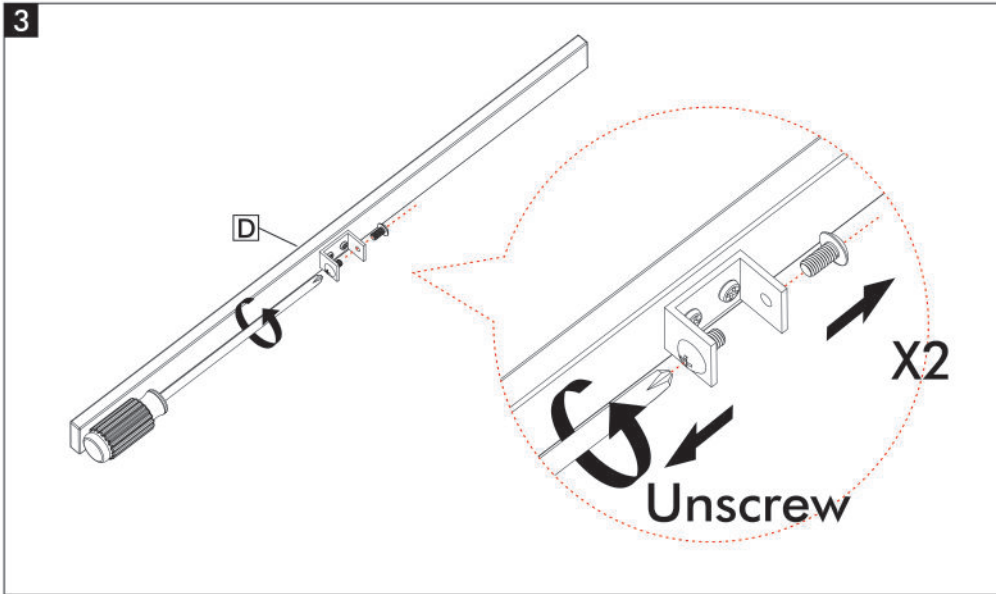
INSTALLATION

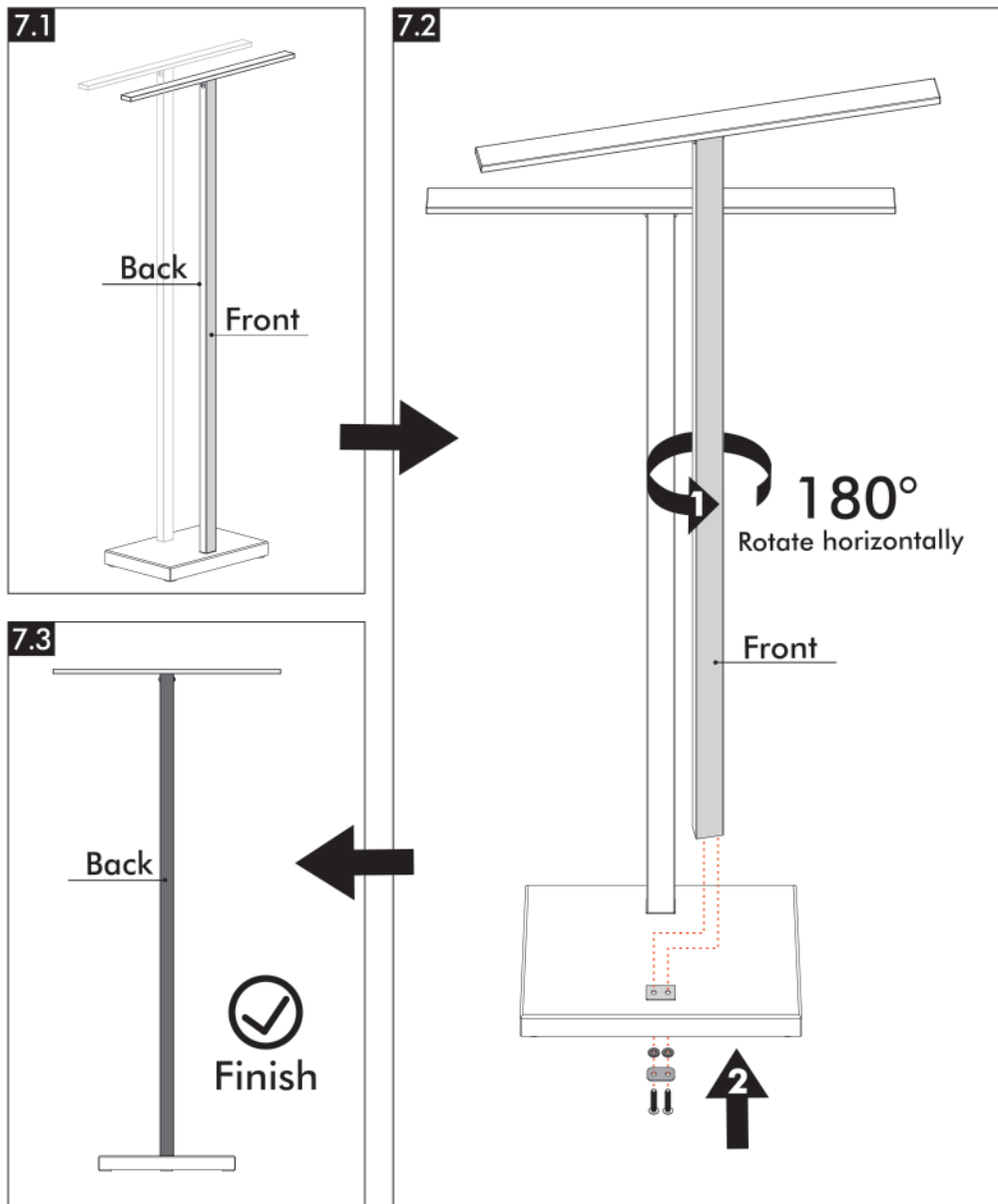
1



2







Still tilt? Contact us!

Replace for FREE
cs@keshome.com

After-Sales Service



24-Hour Customer Support

Visit our customer support center at www.keshome.com/help, available 24/7. Contact us via Amazon Message, instant chat, and email during business hours.



Free Replacement Parts

Please contact us if any parts are damaged or missing. Parts provided free. (Shipping fees may apply)



1-on-1 Responsive Customer Service

You'll be assigned a dedicated agent to see your issue through to resolution. No need to repeat yourself.



Parts Customization

No need to worry about unexpected challenges. Share your requirements, and we'll customize parts to meet your specific needs.



Return Policy

Feel free to return within 30 days. Please ensure all items (particularly the hardware pack) are in the box before returning.

Missing Return Window?

No Worry!
We totally understand



Contact us
Replace for FREE



EN Warning: Hard metal surface. Avoid impacts and dropping.

DE Warnung: Harte Metalloberfläche. Aufprall und Fallenlassen vermeiden.

FR Avertissement: Surface métallique dure. Éviter les chocs et les chutes.

ES Advertencia: Superficie metálica dura. Evite golpes y caídas.

IT Avvertenza: Superficie metallica dura. Evitare urti e cadute.

PL Ostrzeżenie: Twarda metalowa powierzchnia. Unikaj uderzeń i upadków.

NL Waarschuwing: Hard metalen oppervlak. Vermijd stoten en laten vallen.

SV Varning: Hård metallyta. Undvik stötar och fall.

TR Uyarı: Sert metal yüzey. Darbe ve düşmelerden kaçının.